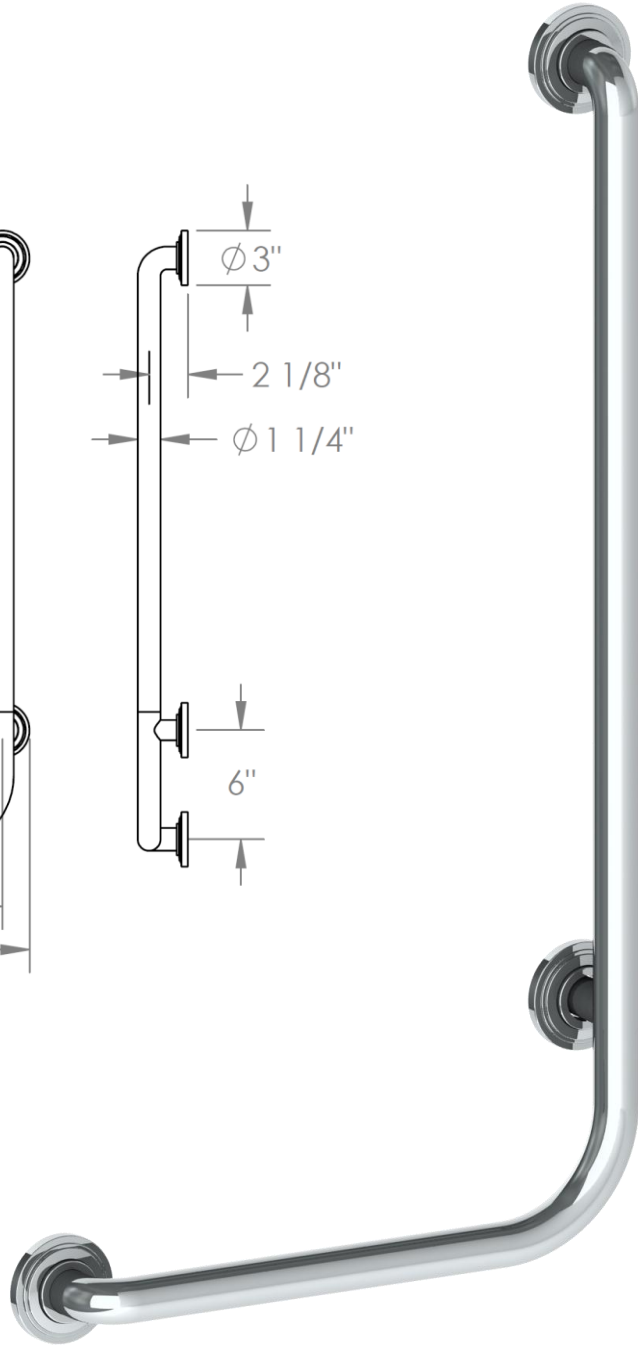
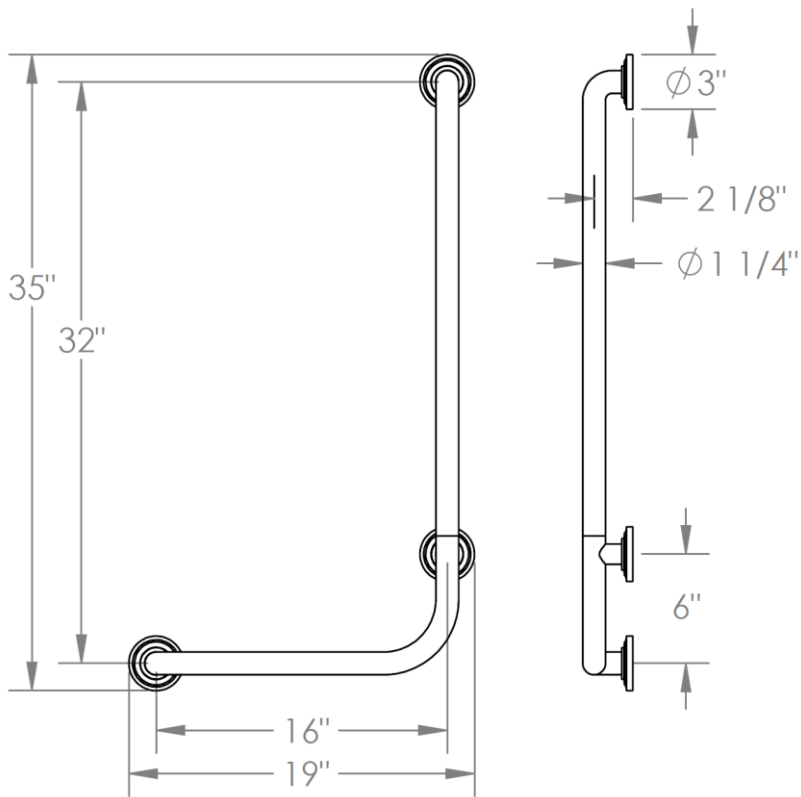


GB09-TRN

"L" Left Hand Angle Grab Bar
Transitional Collection



WATERMARK DESIGNS 2/20/2019

350 Dewitt Ave Brooklyn NY 11207 USA T 718 257 2800 F 718 257 2144 info@watermark-designs.com